

INDUSTRY 4.0

# Victor Series

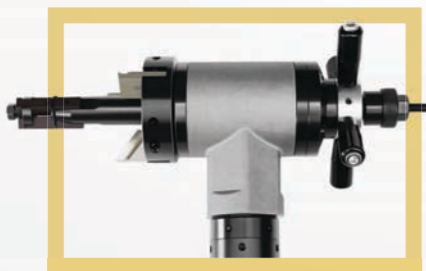
With the advent of the era of industrial 4.0, the degree of automation is higher and higher. In our field, the application of automatic welding is more and more widely. The beveling for automatic welding required: OD Beveling, Facing and Internal beveling. As the pioneer in China, NODHA is proud of push the "Victor" Series to the market.



**1/** Cutter can hold 3 tool bits process in one time. Automatic welding require the OD Beveling, facing and internal beveling. Only 3 side processing finish in one time can guarantee the precision of beveling. The cutter can install 3 pcs tool bits, meet the demands.



**2/** New expanding structure. New designed expanding structure makes the fix more stable. And low failure rate.



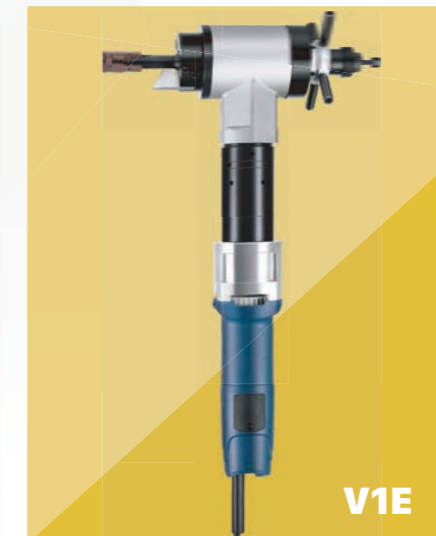
**3/** New-design main shaft fixation. There will be smaller gap of the machine. Performs beveling more smooth, less vibration.

## V1

### Driven Option

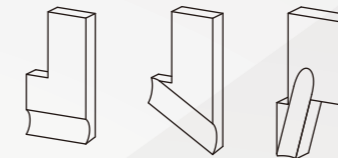
V1 P Air Operated  
V1 E Electric Operated, NODHA Motor  
V1 B Electric Operated, BOSCH Motor

YouTube



### Tool Bits

Standard Tool  
V Type Prep.  
U Type Prep.  
Facing  
Inside Beveling  
\*Consult us for special demand



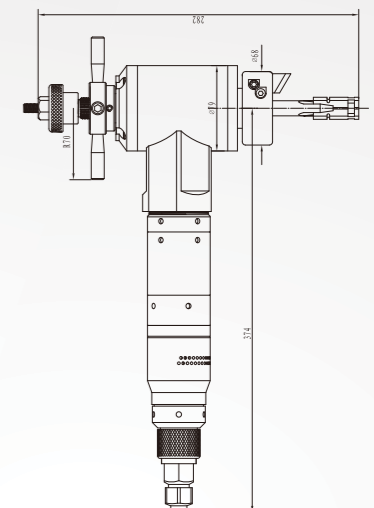
Optional Plastic Box

### Standard Supply

Machine with its driven motor  
Full set expanding blocks  
Hand tools, Manual  
Package: Plastic case JC20PC

### Specification

Model	V1P	V1E	V1B
Driven	Pneumatic	Electric	Bosch Motor
Power Supply	900L/Min@0.6Mpa	220-240V 1PH 50/60HZ	220-240V 1PH 50/60HZ
Motor Power	1 HP	1000W	1000W
Clamping Range(ID)	15-28mm	15-28mm	15-28mm
Working Range(OD)	1.7"(44mm)	1.7"(44mm)	1.7"(44mm)
Wall Thickness	≤8mm	≤8mm	≤8mm
Rotation Speed	66r/min	52r/min	48r/min
Working Weight	7kg	8kg	8kg
Shipping Weight	13kg	14kg	14kg
Packing Size	590x410x170mm	590x410x170mm	590x410x170mm
Tool Number	2	2	2



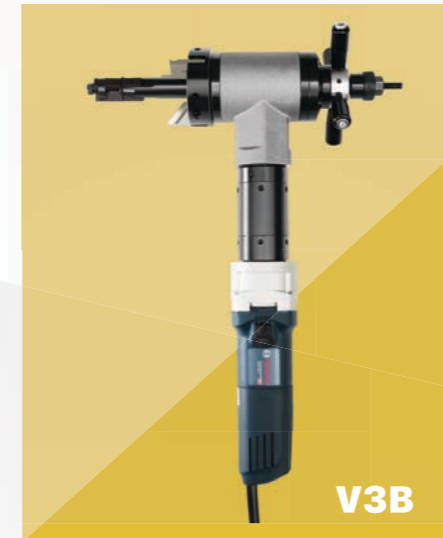
## V3

YouTube



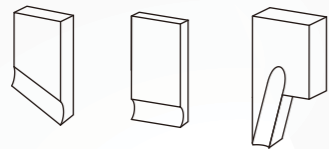
### Driven Option

V3 P Air Operated  
V3 E Electric Operated, NODHA Motor  
V3 B Electric Operated, BOSCH Motor



### Tool Bits

Standard Tool  
V Type Prep.  
U Type Prep.  
Facing  
Inside Beveling



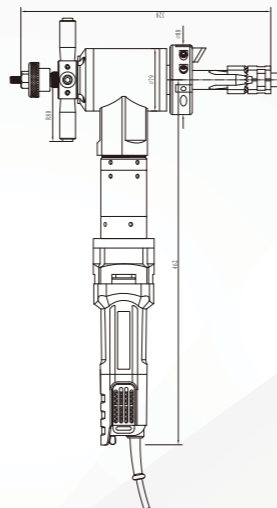
\*Consult us for special demand



Optional Plastic Box

### Standard Supply

Machine with its driven motor  
Full set expanding blocks  
Hand tools, Manual  
Package: Plastic case JC20PC



### Specification

Model	V3P	V3E	V3B
Driven	Pneumatic	Electric	Bosch Motor
Power Supply	900L/Min@0.6Mpa	220-240V 1PH 50/60HZ	220-240V 1PH 50/60HZ
Motor Power	1 HP	1000W	1000W
Clamping Range(ID)	25-76mm	25-76mm	25-76mm
Working Range(OD)	3"(88.9mm)	3"(88.9mm)	3"(88.9mm)
Wall Thickness	≤15mm	≤15mm	≤15mm
Rotation Speed	66r/min	52r/min	48r/min
Working Weight	8.5kg	9kg	9kg
Shipping Weight	15kg	16kg	16kg
Packing Size	590x410x170mm	590x410x170mm	590x410x170mm
Tool Number	3	3	3

## V6

YouTube



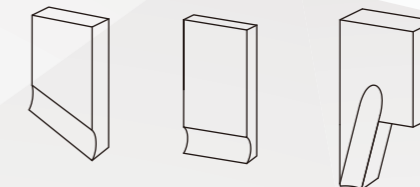
### Driven Option

V6 P Air Operated  
V6 E Electric Operated, NODHA Motor  
V6 B Electric Operated, BOSCH Motor



### Tool Bits

Standard Tool  
V Type Prep.  
U Type Prep.  
Facing  
Inside Beveling



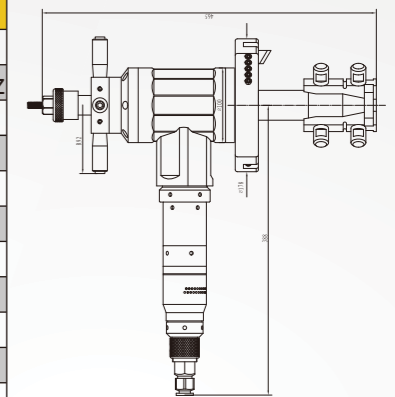
\*Consult us for special demand

### Standard Supply

Machine with its driven motor  
Full set expanding blocks  
Hand tools, Manual  
Package: plywood case

### Specification

Model	V6P	V6E	V6B
Driven	Pneumatic	Electric	Bosch Motor
Power Supply	900L/Min@0.6Mpa	220-240V 1PH 50/60HZ	220-240V 1PH 50/60HZ
Motor Power	1 HP	1050W	1000W
Clamping Range(ID)	60-159mm	60-159mm	60-159mm
Working Range(OD)	6"(168.28mm)	6"(168.28mm)	6"(168.28mm)
Wall Thickness	≤20mm	≤20mm	≤20mm
Rotation Speed	40r/min	36r/min	38r/min
Working Weight	16kg	17kg	17kg
Shipping Weight	30kg	33kg	33kg
Packing Size	680x550x260mm	680x550x260mm	680x550x260mm
Tool Number	3	3	3



## V8

### Driven Option

V8 P Air Operated  
V8 E Electric Operated, NODHA Motor



V8P



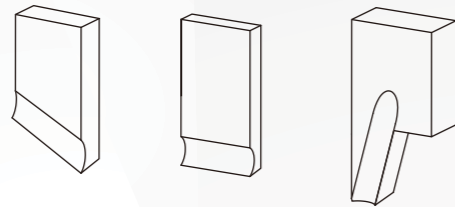
V8E

YouTube



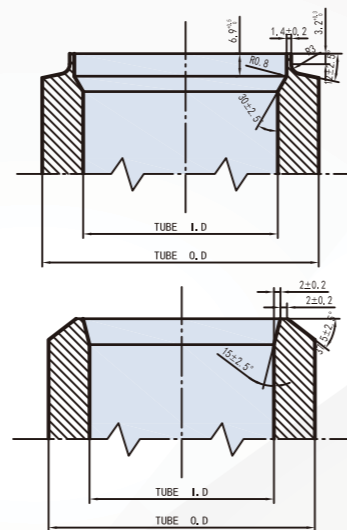
### Tool Bits

Standard Tool  
V Type Prep.  
U Type Prep.  
Facing  
Inside Beveling  
\*Consult us for special demand



### Standard Supply

Machine with its driven motor  
Full set expanding blocks  
Hand tools, Manual  
Package: plywood case



### Specification

Model	V8P	V8E
Driven	Pneumatic	Electric
Power Supply	1200L/Min@0.6Mpa	220-240V 1PH 50/60HZ
Motor Power	1.5 HP	1200W
Clamping Range(ID)	65-210mm	65-210mm
Working Range(OD)	8"(219.08mm)	8"(219.08mm)
Wall Thickness	≤20mm	≤20mm
Rotation Speed	28r/min	24r/min
Working Weight	26kg	28kg
Shipping Weight	41kg	45kg
Packing Size	730X310X340mm	830x310x340mm
Tool Number	3	3

## V14

### Driven Option

V14 P Air Operated  
V14 E Electric Operated, NODHA Motor



V14E2

V14P2

(2 cutters)



V14E3

V14P3

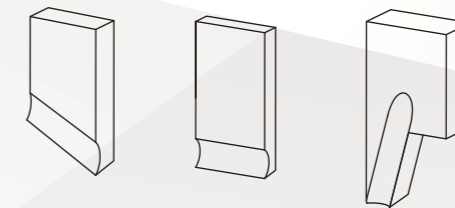
(3 cutters)

YouTube



### Tool Bits

Standard Tool  
V Type Prep.  
U Type Prep.  
Facing  
Inside Beveling  
\*Consult us for special demand



### Standard Supply

Machine with its driven motor  
Full set expanding blocks  
Hand tools, Manual  
Package: plywood case

### Specification

Model	V14P	V14E
Driven	Pneumatic	Electric
Power Supply	1200L/Min@0.6Mpa	220-240V 1PH 50/60HZ
Motor Power	1.5 HP	1500W
Clamping Range(ID)	145-340mm	145-340mm
Working Range(OD)	14"(355.6mm)	14"(355.6mm)
Wall Thickness	≤20mm	≤20mm
Rotation Speed	18r/min	20r/min
Working Weight	46kg	48kg
Shipping Weight	V14P2 : 71kgs V14P3 : 73kgs	V14E2 : 75kgs V14E3 : 78kgs
Packing Size	V14P2 : 840x460x330mm V14P3 : 840x420x450mm	V14E2 : 940x460x300mm V14E3 : 940x460x450mm
Tool Number	2 or 3	2 or 3

